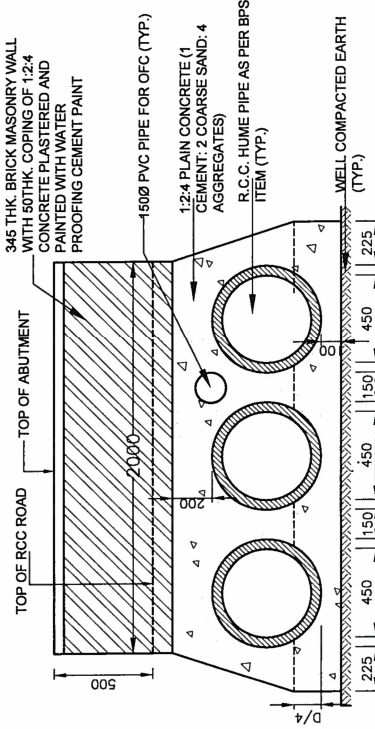
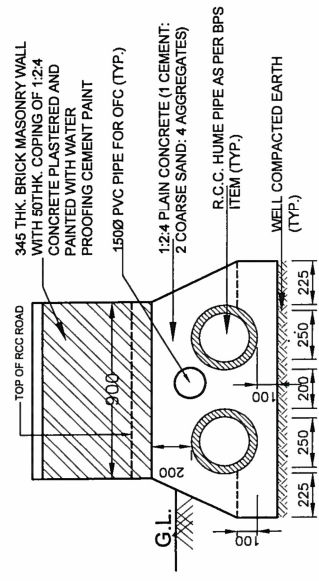


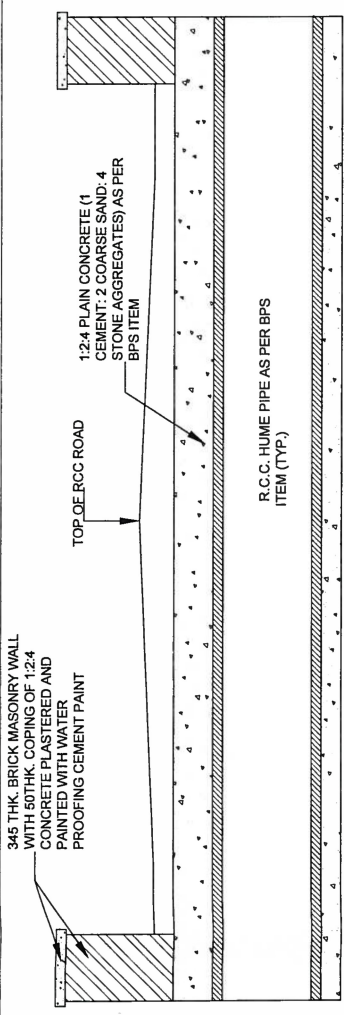
ROAD CROSSING SECTION FOR CABLE TRENCH FOR "SEC-1-1 & 2A-2A"



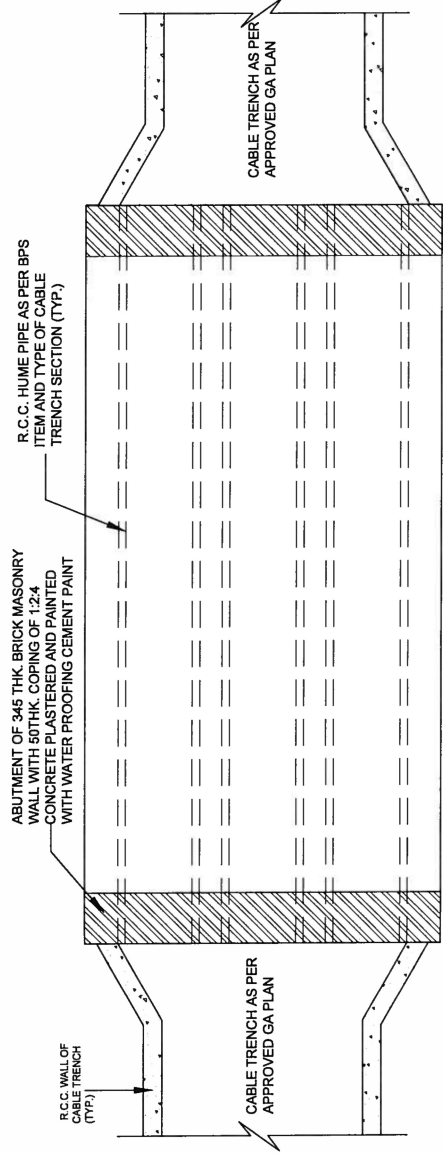
ROAD CROSSING SECTION FOR CABLE TRENCH "SEC-2-2"



ROAD CROSSING SECTION FOR CABLE TRENCH "SEC-3-3"



TYPICAL LONGITUDINAL ROAD CROSSING SECTION OF CABLE TRENCH THROUGH RCC PIPE



TYPICAL PLAN OF CABLE TRENCH WITH ROAD CROSSING

**FOR TENDER PURPOSE ONLY**

RELEASED FOR TENDER/CONSTRUCTION  
**POWER GRID CORPORATION OF INDIA LIMITED**  
 (A Government of India Enterprise)

PROJECT: STANDARD CABLE TRENCH FOR SUBSTATION SWITCH YARD

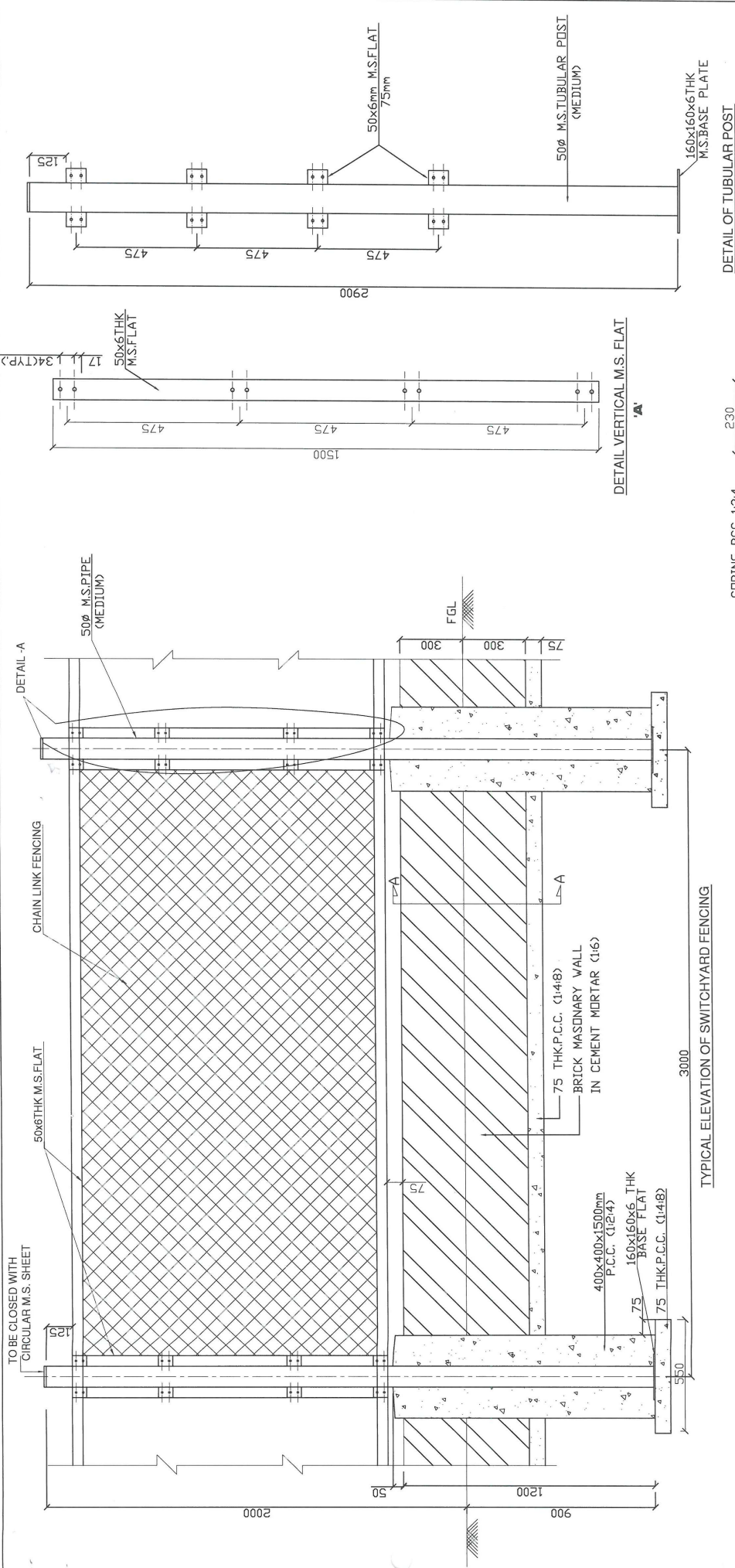
TITLE: DETAILS OF CABLE TRENCHES AND CABLE TRENCH ROAD CROSSING

DRG. NO.: CI/ENGG/STD/2016/RCT/01 (Sheet 04 of 04)

NOTE:- THIS DRAWING SUPERCEDES STANDARD CABLE TRENCH DRAWINGS (DRG. NO.: CI/ENGG/STD/CT/01 TO 05)

REV	DESCRIPTION	CDE (ENGG-CIVIL)	AGM (ENGG-CIVIL)	AGM (ENGG-SIS)	GM (ENGG-SIS)	APVD. BY GM (ENGG-CIVIL)	DATE
00	CABLE TRENCH SECTION 2A-2A INTRODUCED AND CABLE TRENCH CROSSING SECTIONS MODIFIED						6/11/2016

SCALE: NTS



**FOR TENDER PURPOSE ONLY**

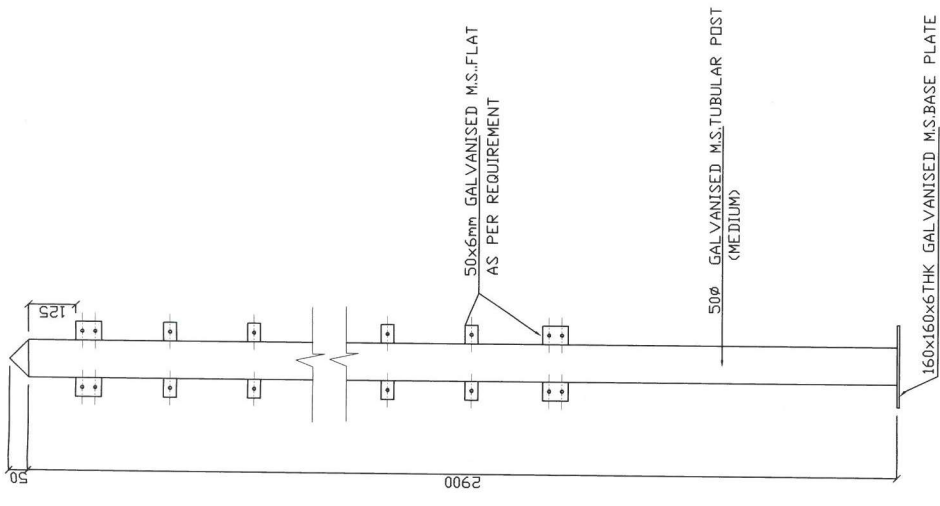
POWER GRID CORPORATION OF INDIA LIMITED (A Government of India Enterprise)	
TITLE:	STANDARD FENCING
SUB TITLE:	STANDARD DETAILS FOR SWITCH YARD CHAIN LINK FENCING
DRAWING NO:	C/ENGG/CML/SYD/FENCE/2016/01 OF 01
SCALE	NTS
REV	0

APPROVED BY ED (ENGG.TL-SS-CIVIL) VIDE  
NOTE REFERENCE NO. CIENGGISTD.DRG.  
Cim World 03/20/2016

RELEASED FOR TENDER/CONSTRUCTION

- NOTES:**
- +0.00 SHALL DENOTE SWITCHYARD FINISHED GROUND LEVEL
  - CHAIN LINK FENCING SHALL HAVE 3.15 mm DIAMETER WIRE AS PER IS 2721 WITH 75x75 mm MESH SIZE AND GALVANIZED.
  - TUBULAR POST SHALL BE PLACED @ 3.0m CENTRE TO CENTRE.
  - CORNER TUBULAR POST SHALL BE PROVIDED CLEATS IN FOUR SIDES SUITING TO REQUIREMENT.
  - TUBES/PIPES OF POST SHALL BE GALVANIZED
  - CONCRETE FOR P.C.C. SHALL CONFORM TO CPWD SPECIFICATION.
  - CONCRETE PEDESTAL SHALL BE CAST IN VIRGIN SOIL/WELL COMPACTED EARTH.
  - EXPOSED SURFACE OF BRICK MASONRY/CONCRETE PEDESTAL SHALL BE PLASTERED WITH 12MM THICK CEMENT PLASTER 1:6 AND PAINTED WITH CEMENT PAINT OF REQUIRED SHADE.

REV.	DESCRIPTION	PREP. (ENGG-CIVIL)	REV. ACDE(ENGG-CIVIL)	REV. CDE (ENGG-CIVIL)	REV. AGM (ENGG-CIVIL)	APPD. GM (ENGG-CIVIL)	DATE
0.	REVISED AS MARKED						

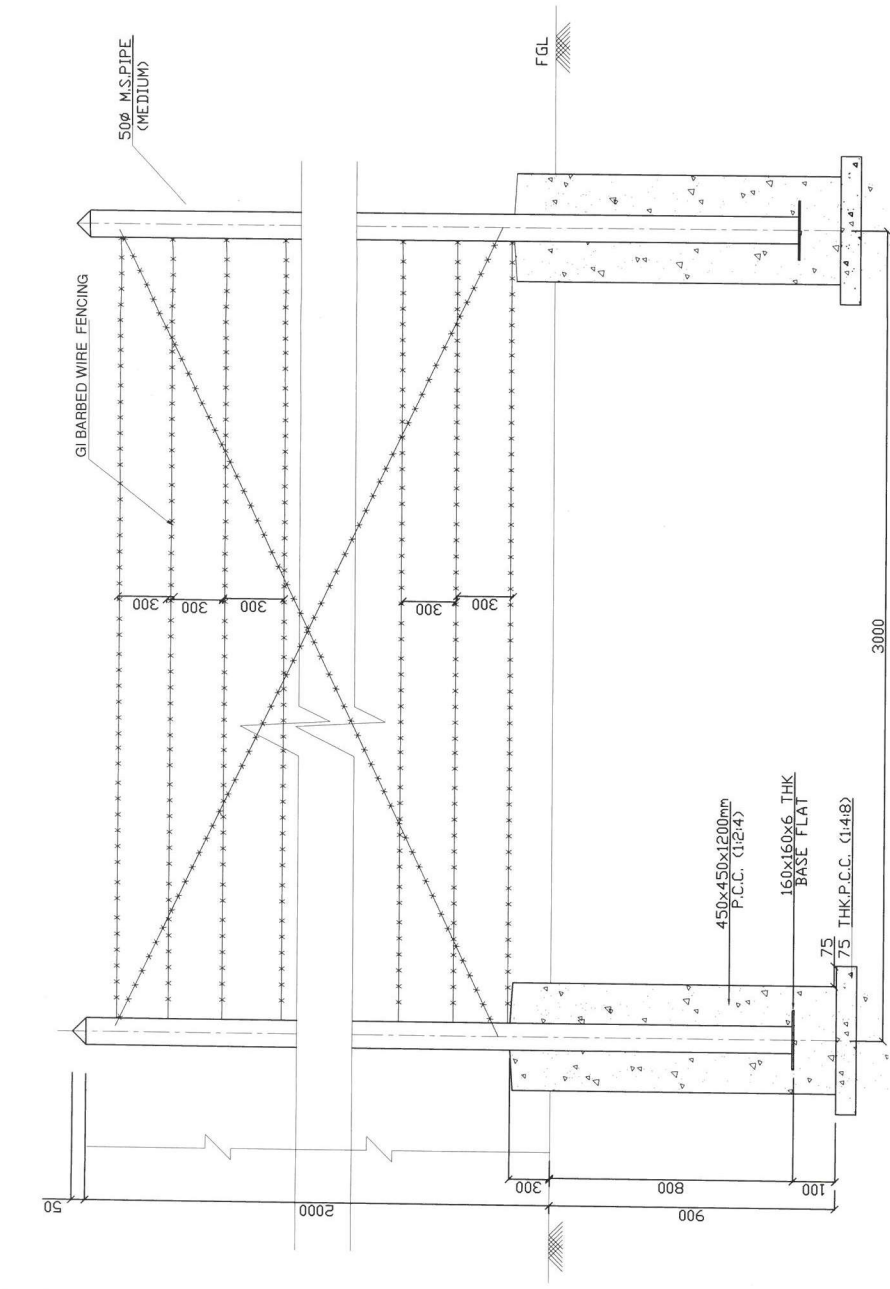


DETAIL OF TUBULAR POST

RELEASED FOR CONSTRUCTION.

**POWER GRID CORPORATION OF INDIA LIMITED**  
(A Government of India Enterprise)

PROJECT :	765/400 & 400/220 KV SUBSTATION
TITLE :	STANDARD DETAILS FOR SWITCH YARD BARBED WIRE FENCING
SCALE :	N/T
DRAWING NO. :	C/ENGG/CVL/SYD/FENCE/BW/01
REV :	0



TYPICAL ELEVATION OF SWITCHYARD FENCING

**FOR TENDER PURPOSE ONLY**

**NOTES:**

- ±0.00 SHALL DENOTE SWITCHYARD FINISHED GROUND LEVEL
- GI BARBED WIRE SHALL BE AS PER IS 278, WEIGHING 9.38 KG PER 100 M (MIN)
- TUBULAR POST SHALL BE PLACED @ 3.0m CENTRE TO CENTRE.
- CORNER TUBULAR POST SHALL BE PROVIDED CLEATS IN FOUR SIDES SUITING TO REQUIREMENT.
- TUBES/PIPES OF POST SHALL BE GALVANIZED
- CONCRETE FOR P.C.C. SHALL CONFORM TO CPWD SPECIFICATION.
- CONCRETE PEDESTAL SHALL BE CAST IN VIRGIN SOIL/WELL COMPACTED EARTH.
- FENCING WORKS SHALL BE AS PER CPWD SPECIFICATION.
- EVERY 15TH - LAST BUT ONE END POST AND CORNER POSTS SHALL BE STRUTTED ON BOTH SIDES AND END POSTS ON ONE SIDE ONLY.

PREP'D.	REVD.	REVD.	REVD.	APPD.	DATE
<i>[Signature]</i>	<i>[Signature]</i>	<i>[Signature]</i>	<i>[Signature]</i>	<i>[Signature]</i>	<i>[Date]</i>