

# LAYOUT PLAN

**STORM WATER**

STANDARD CATCH BASIN SIZE & DEPTH	DEPTH
CB-450X450MM	0.45M-0.6M
CB-600X600MM	0.6M-0.75M
CB-750X750MM	0.75M-0.9M
MANHOLE 910Ø	0.9M-1.5M

**300Ø WIDE SAUCER DRAIN**

<b>TENDER DRAWING</b>	
NO.	DATE
REVISED DATE	DESCRIPTION
REVISION	DATE
PROJECT:	POWER GRID CORPORATION OF INDIA LIMITED
PROJECT TITLE:	EXTERNAL STORM WATER DRAINAGE LAYOUT PLAN
DRAWING NO.:	R0
DATE:	15.10.2018
DRAWN BY:	SAJAN
CHECKED BY:	SURESH
APPROVED BY:	SURESH
SCALE:	PANIKU KUMAR

PROJECT: POWER GRID CORPORATION OF INDIA LIMITED  
 PROJECT TITLE: EXTERNAL STORM WATER DRAINAGE LAYOUT PLAN  
 DRAWING NO.: R0  
 DATE: 15.10.2018  
 DRAWN BY: SAJAN  
 CHECKED BY: SURESH  
 APPROVED BY: SURESH  
 SCALE: PANIKU KUMAR

**NOTE:**  
 THE INFORMATION CONTAINED IN THIS DRAWING IS THE PROPERTY OF ANY PROJECT PVT. LTD. & SHALL NOT BE REPRODUCED OR TRANSMITTED IN ANY FORM OR BY ANY MEANS, ELECTRONIC OR MECHANICAL, INCLUDING PHOTOCOPYING, RECORDING, OR BY ANY INFORMATION STORAGE AND RETRIEVAL SYSTEM, WITHOUT THE WRITTEN PERMISSION FROM ANY PROJECTS PVT. LTD.

**SIGNATURE:**

(AUTHORIZED SIGNATORY)  
 ANY PROJECTS PVT. LTD.

*Bethera*



NOTE:  
 THE INFORMATION CONTAINED IN THIS DRAWING IS THE PROPERTY OF KNY PROJECTS PVT. LTD. & SHALL NOT BE USED FOR ANY OTHER PURPOSE OTHER THAN THE LOCATION MARKED HEREIN. THE DRAWING IS ISSUED ON THE UNDERSTANDING THAT THE DRAWING IS FOR THE PART SHOWN. THE DRAWING IS NOT TO BE USED FOR ANY OTHER PURPOSE OTHER THAN THE LOCATION MARKED HEREIN. THE INFORMATION CONTAINED IN THIS DRAWING IS THE PROPERTY OF KNY PROJECTS PVT. LTD. & SHALL NOT BE USED FOR ANY OTHER PURPOSE OTHER THAN THE LOCATION MARKED HEREIN.

(AUTHORISED SIGNATORY)  
 KNY PROJECTS PVT. LTD.

SIGNATURE:  
 WRITTEN AUTHORIZATION FROM KNY PROJECTS PVT. LTD. SHALL BE OBTAINED ON THE DRAWING BEFORE COMMENCING WORK ON THE DRAWING.

BEHERA & ASSOCIATES  
 PLOT NO A 27-A SUBSANTOLK 1 GURDON  
 HARANA  
 PH.NO - 011-20123028 20123523  
 MAIL ID - a27a@bha.com

SCALE	PROJECT ARCHITECT	PROJECT LEADER	DATE
1:1	PANKAJ KUMAR	CHAKRA	20-08-2018
PROJECT	PROPOSED POWERGRID HOUSING BUILDING AT SAM SAVALI ROAD VANDRAHA	REVISION NO.	R0
CLIENT	POWER GRID CORPORATION OF INDIA LIMITED	REVISION DATE	20-08-2018
REVISION	REVISION NO.	REVISION DATE	DESCRIPTION

TENDER DRAWING  
 TENDER DRAWING  
 TENDER DRAWING

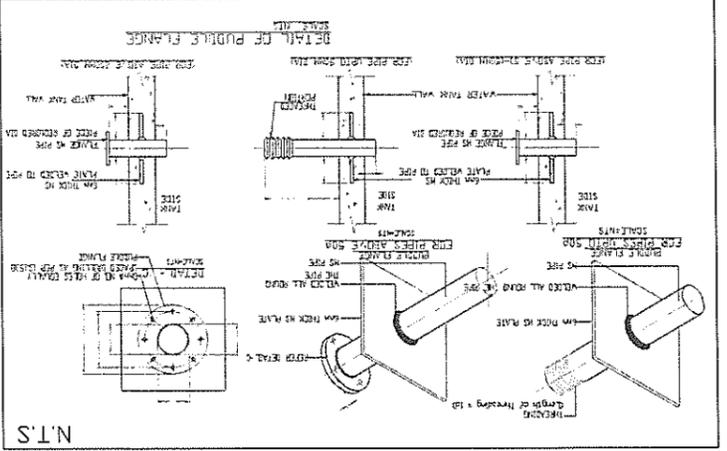
PROJECT: PROPOSED POWERGRID HOUSING BUILDING AT SAM SAVALI ROAD VANDRAHA  
 CLIENT: POWER GRID CORPORATION OF INDIA LIMITED

FLANGE NO.	DESCRIPTION	SIZE OF PIPE	LEVEL	QTY OF FLANGE
1	Puddle flange for handover/trail connection	500	-550	1
2	Puddle flange for score wall connection	1000	-250	1
3	Puddle flange for over flow inlet tank to tank	1000	-300	4
4	Puddle flange for suction pipe from fire tank	1500	-2500	2
5	Puddle flange for suction pipe raw & treated water tank	1500	-2500	2
6	Puddle flange for level controller	500	-200	4
7	Puddle flange for level indicator (top)	500	-200	4
8	Puddle flange for level indicator (bottom)	500	-3100	4
9	Puddle flange for drain out	1000	-3250	4
10	Puddle flange for vent pipe	1000	-800	4
11	Puddle flange for fire vitrification connection	1500	-2500	1
12	Puddle flange for tanker connection	900	-250	1
13	Puddle flange for fire fire breaker inlet connection	1000	-250	1

S. NO	TYPE	OPENING SILL LINTEL	DOOR	DI	RS	WINDOW	WT
1	DOOR	1 X 2.1	2.1	1.5	1.2	0.9	2.1
2	RS	2.78 X 2.1	-	-	-	-	-
3	WINDOW	1.5 X 1.2	0.9	2.1	1.5	1.2	0.9

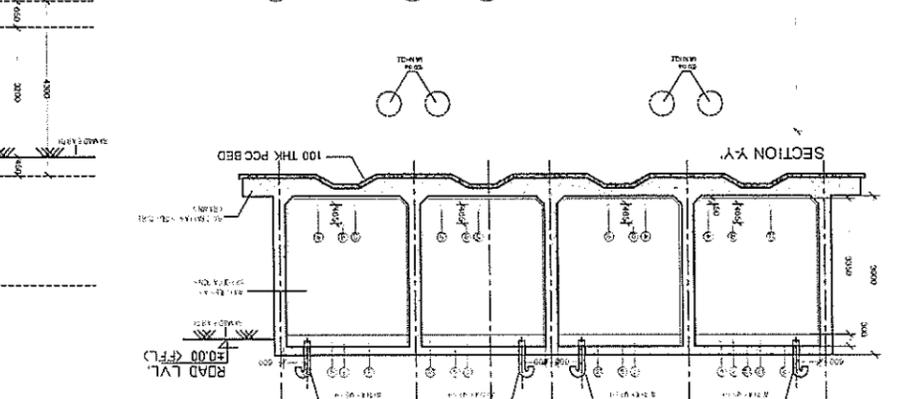
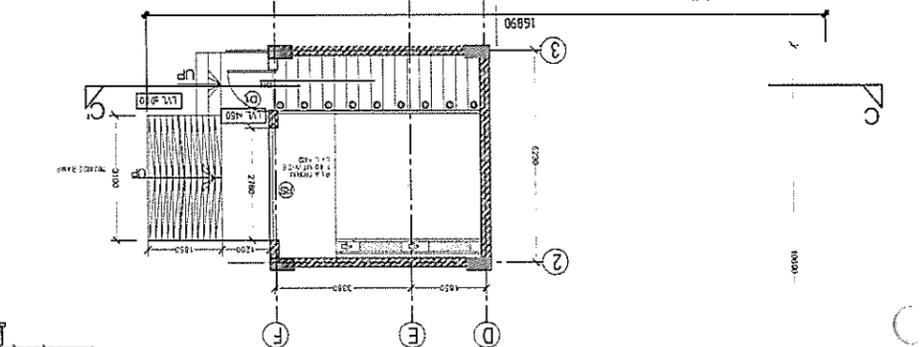
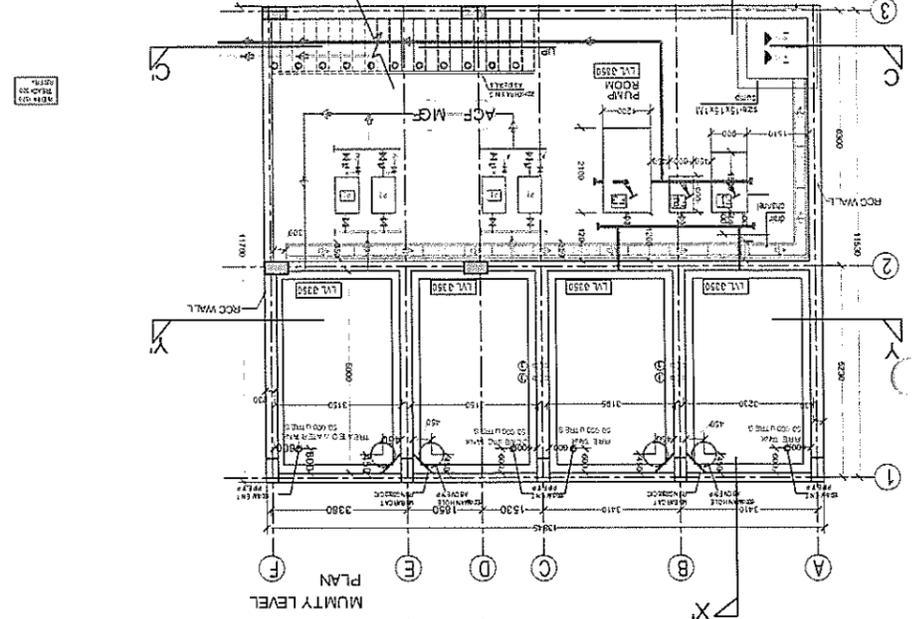
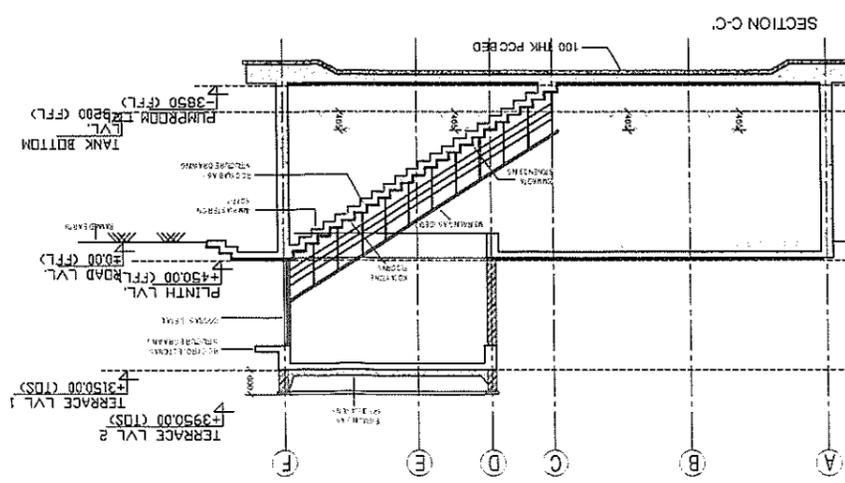
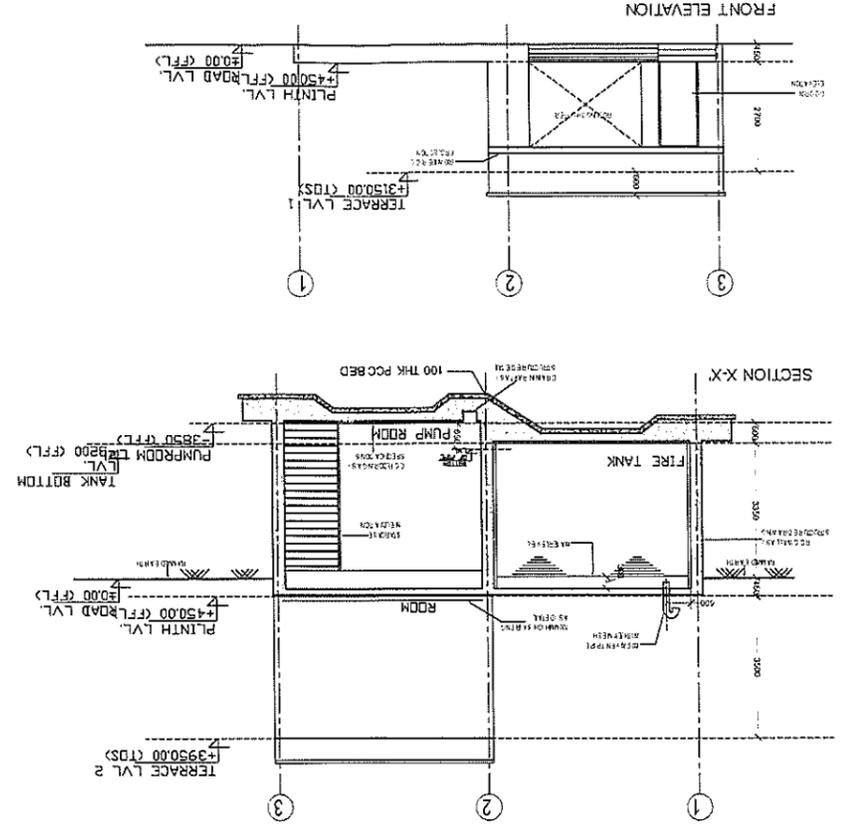
CONSTRUCTION NOTES:  
 1. ALL WORK SHALL BE DONE AS PER THE DRAWING.  
 2. ALL MATERIALS SHALL BE AS PER THE DRAWING.  
 3. ALL WORK SHALL BE DONE AS PER THE DRAWING.

GENERAL NOTES:  
 1. ALL WORK SHALL BE DONE AS PER THE DRAWING.  
 2. ALL MATERIALS SHALL BE AS PER THE DRAWING.  
 3. ALL WORK SHALL BE DONE AS PER THE DRAWING.



PUDDLE FLANGE OVER FLOW PIPE TO PLANT ROOM N.T.S.

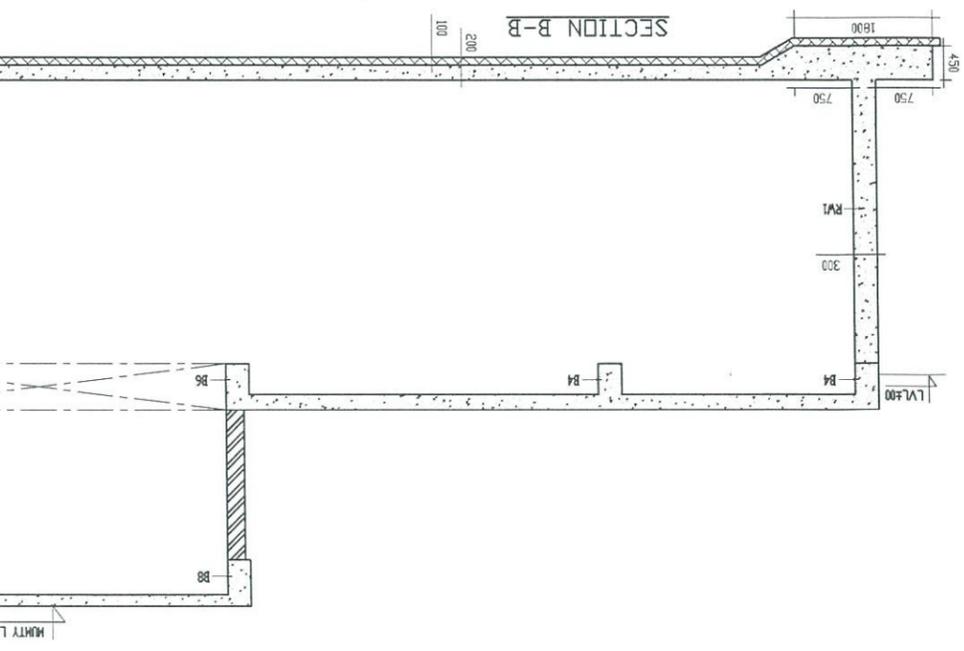
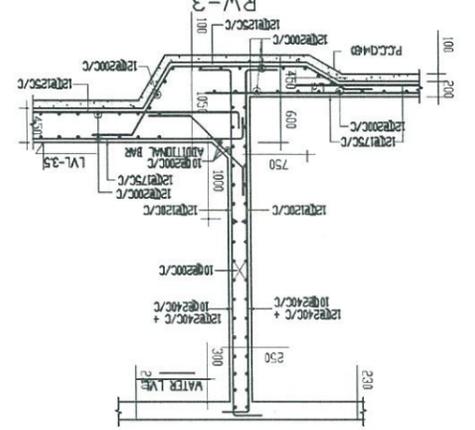
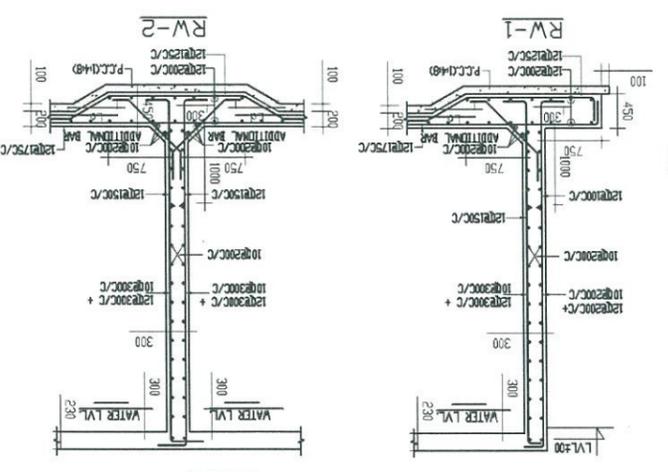
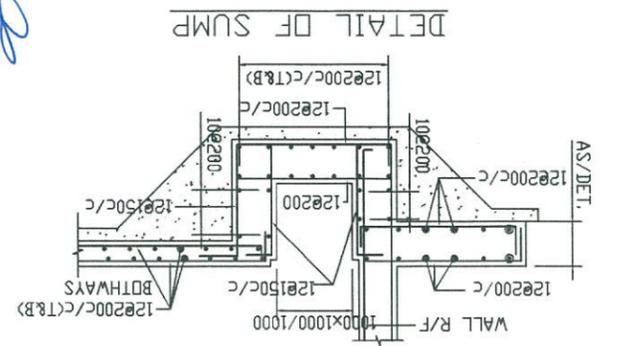
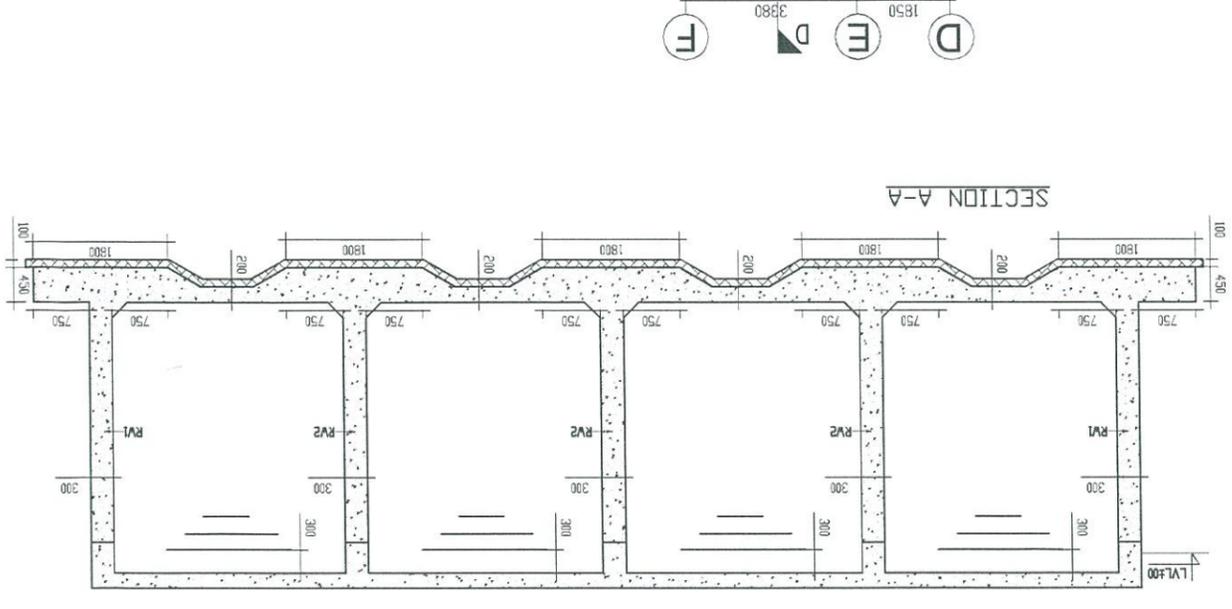
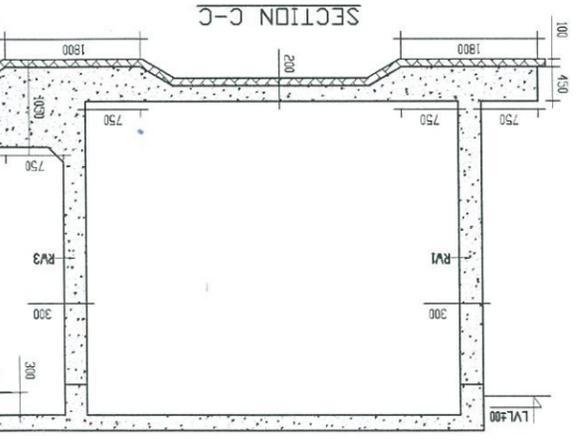
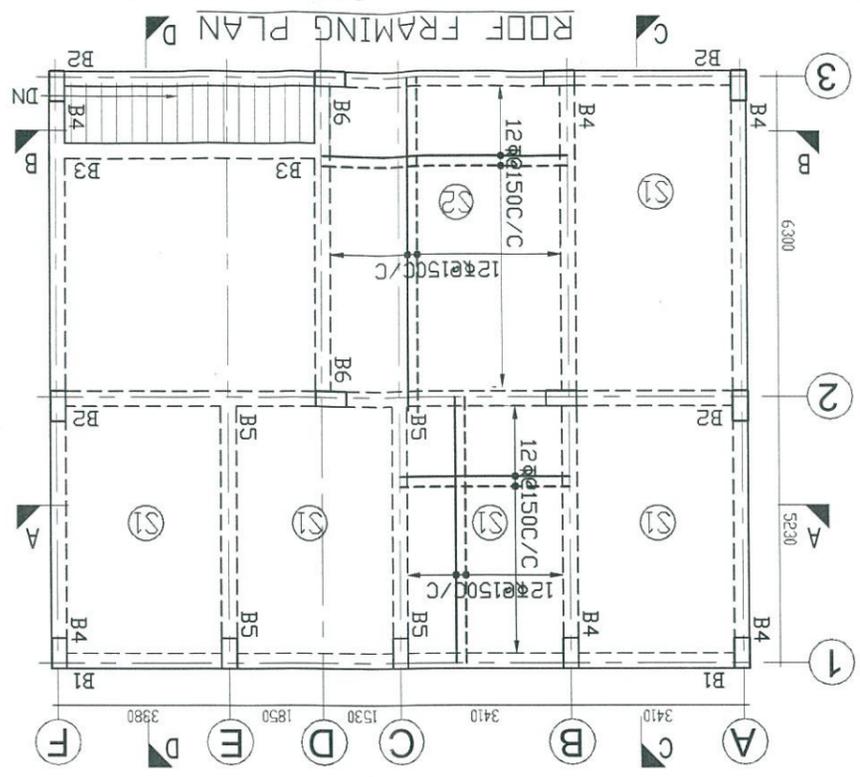
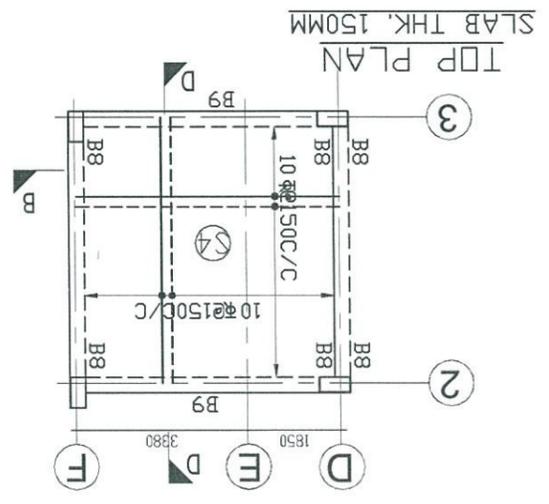
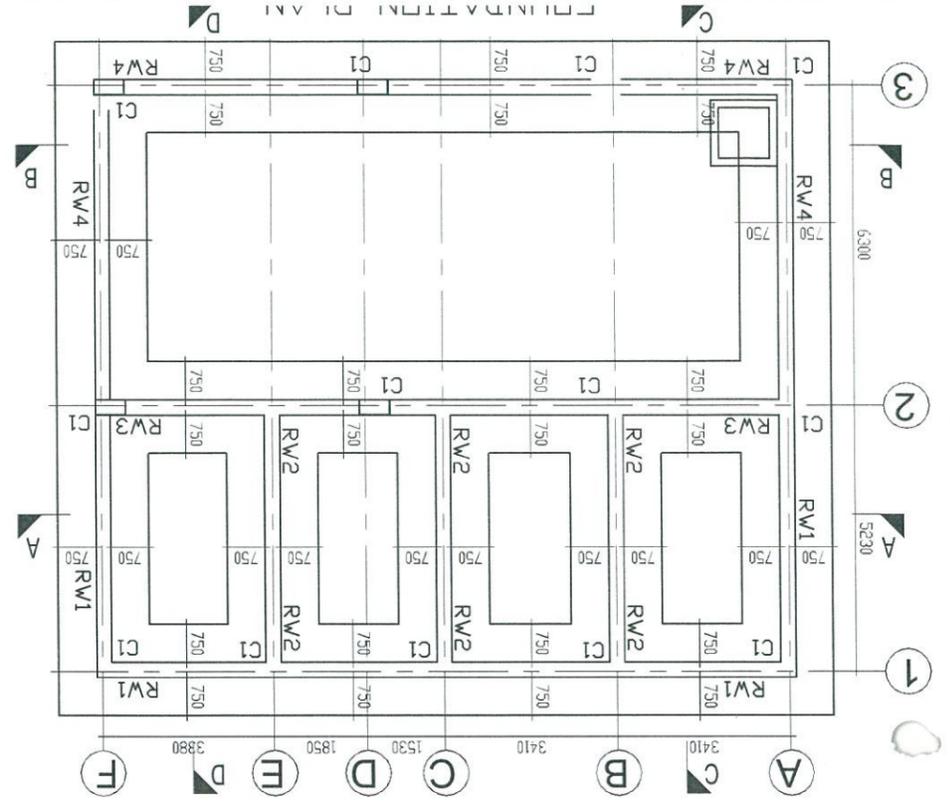
PUDDLE FLANGE OVER FLOW PIPE TO PUMP ROOM



AVIATION ACADEMY, AAL DELHI



FOUND TO ARCH. TOP	
300X600	
620+8-16	
AS/G/1	
M30	
COLUMN DETAILS	



TENDER DRAWING	
REV. NO.	DATE
03-09-2018	TENDER DRAWING
CHK. BY	PANKAJ KUMAR
CLIENT:	POWER GRID CORPORATION OF INDIA LIMITED
PROJECT:	PROPOSED POWERED HOUSING BUILDING AT SAMA SAVI ROAD VADODRA
DRAWING TITLE:	FOUNDATION PLAN, ROOF PLAN & RCC WALL OF WATER TANK
REVISION:	R0
DATE	26-09-2018
DRAWING NO.	KVPS/910/000/001/01/18
CHK. BY	SAJAN
APP. BY	SEKHARA
PROJECT ARCHITECT:	PANKAJ KUMAR
SCALE	
NOTE:	
THE INFORMATION CONTAINED IN THIS DRAWING IS THE PROPERTY OF KNY PROJECTS PVT. LTD. & SHALL NOT BE USED FOR ANY OTHER PURPOSE OTHER THAN THE LOCATION MARKED HEREIN. THE DRAWING IS ISSUED ON THE UNDERSTANDING THAT THE DRAWING OR ITS PART SHALL BE ISSUED COMMUNICATED, COPIED OR PUBLISHED WITHOUT THE WRITTEN AUTHORIZATION FROM KNY PROJECTS PVT. LTD.	
SIGNATURE:	
(AUTHORIZED SIGNATORY) KNY PROJECTS PVT. LTD.	