

| RTI REQUEST DETAILS | |
|--|--|
| Registration No. : PGCIL/R/T/20/00089 | Date of Receipt : 03/11/2020 |
| Transferred From : | Comptroller and Auditor General of India on 03/11/2020 With Reference Number : CAGIN/R/E/20/02361 |
| Remarks : | The information sought in the online RTI request do not seem to pertain to this Public Authority. It is related to PGCIL. Thus, the same is transferred under Section 6(3) of the RTI Act, 2005 for further necessary action. |
| Type of Receipt : | Electronically Transferred from Other Public Authority |
| Language of Request : | English |
| Name : hrushaabh mishra | Gender : Male |
| Address : B-603, Western Edge-2, Kanakia Spaces, Mumbai-66, Pin:400066 | |
| State : Maharashtra | Country : India |
| Phone No. : 022-28702143 | Mobile No. : +91-8108123468 |
| Email : hm@syselec.net | |
| Status(Rural/Urban) : Urban | Education Status : Graduate |
| Letter No. : Details not provided | Letter Date : Details not provided |
| Is Requester Below Poverty Line ? : No | Citizenship Status : Indian |
| Amount Paid : 0 (RTI fee is received by Comptroller and Auditor General of India (original recipient)) | Mode of Payment : Payment Gateway |
| Does it concern the life or Liberty of a Person ? : | Request Pertains to : |
| Information Sought : | Please see pdf. Please inform amount of monies that have been invested in importing the Aluminium based and Steel based ERS towers and their spares for Emergency Restoration Purposes in Power Grid Corporation and in other State Transmission Utilties from USA and Canada, when infact the same monies can be invested in manufacturing these ERS towers in India using Aluminium and Steel. There is huge difficulty in handling such oversized ERS towers and even if desired to make them oversized, they can be made so locally in India. This shall alos giveboost to Atma Nirbhar movement in India. |
| Original RTI Text : | Please see pdf. Please inform amount of monies that have been invested in importing the Aluminium based and Steel based ERS towers and their spares for Emergency Restoration Purposes in Power Grid Corporation and in other State Transmission Utilties from USA and |

Canada, when infact the same monies can be invested in manufacturing these ERS towers in India using Aluminium and Steel. There is huge difficulty in handling such oversized ERS towers and even if desired to make them oversized, they can be made so locally in India. This shall alos giveboost to Atma Nirbhar movement in India.

[Print](#) [Save](#) [Close](#)



LINDSEY MANUFACTURING COMPANY
760 N. Georgia Ave. P.O. Box 877 Azusa, CA 91702 U.S.A.
Phone: (626) 969-3471 Fax: (626) 969-3177
e-mail: Eaguilera@Lindsey-usa.com
www.Lindsey-usa.com

PROPOSAL – 1070

February 21, 2019

**Power Transmission Corporation of
Uttarakhand Limited
India**

Subject: Emergency Restoration Structures (ERS) for 400kV

In accordance with your request, Lindsey Manufacturing Company is pleased to submit the following quotation for one (1) complete set of Emergency Restoration Structures (ERS). This set of Two (2) single-circuit columns will provide materials to create the following structure:

- Two (2) Horizontal V Single Circuit Suspension columns 0-2' (Drawing Number R-26460)
Or
- Two (2) Dead End Single Circuit Tension columns 0' (Drawing Number R-26462)
Or
- Two (2) Dead End Single Circuit Tension columns 30' (Drawing Number R-26463)
Or
- Two (2) Horizontal V Single Circuit Suspension columns 0-2' (Drawing Number R-26465)
Or
- Two (2) Dead End Single Circuit Tension columns 0' (Drawing Number R-26466)
Or
- Two (2) Dead End Single Circuit Tension columns 30' (Drawing Number R-26467)

to restore damaged or destroyed permanent single circuit towers.

Additional hardware, insulators, anchors, containers, software, training, tools, and also all other equipment specified and recommended for the successful installation of ERS towers.

A one-week training program conducted with utility linemen and engineers is also proposed. This would cover all aspects of ERS and satisfies the requirement for training.

See Attached Annex "B" for Drawings of Towers proposed.
See Attached Annex "C" for ProSpot analysis of Towers proposed.

SUMMARY OF PRICES for one (1) complete set of ERS

| | |
|--|-------------------------------|
| 1. Total Ex-Works Lot price for One Set consisting of Two(2) Emergency Restoration Structure towers, including software and training. (Items No. 1 thru 48) | US Dllrs. \$361,438.00 |
| 2. Cost of Freight and Insurance for One Set of ERS | US Dllrs. \$26,560.00 |
| 3. Total CIP price to port of India of One set of ERS | US Dllrs. \$387,998.00 |

Duties, taxes and inland freight are not included.

See Attached Annex "A" for a complete description of all the proposed materials and services for One (1) set.

Should Lindsey Manufacturing Company be awarded a contract/purchase order, terms of payment shall be an Irrevocable Commercial Letter of Credit with 100% of contract/purchase order value, confirmed by a U.S. Bank approved by Lindsey. Payment to be effected in U.S. Dollars payable "At Sight" as follows:

Letter of credit must be issued within 15 days after the receipt of purchase order or contract. Production will begin after the receipt and approval of the Letter of credit by Lindsey. Lindsey will not be held liable for late shipment due to the delay of the issuance of the Letter of credit. Lot prices do not include any cost for Import duties, customs duties, etc.

Delivery Lead Time

Delivery can occur Fourteen (12) weeks after receipt of order or earlier if possible. Ability to deliver in 2019 will depend on timing of the purchase order.

Validity

The price will remain valid for acceptance of a contract/purchase order for 120 days from the date of this letter.

Should Lindsey Manufacturing Company be awarded a contract/purchase order, column sections for one (1) Set will be packed in Three(3) 40ft high cube containers; and one (1) 20-foot containers for storage of Tools, Insulators, and Hardware. 20ft Container will be property of PITCUL the 40 ft containers will be returned to freight forwarder upon delivery.

We would like to discuss our proposal in further detail at your convenience. Should you have any questions or require additional information, please do not hesitate to contact me directly.

Best regards,

Emigdio Aguilera
ERS Product Engineer
Lindsey Manufacturing Co.
760 N. Georgia Ave.
Azusa, CA 91702 USA
Ph: (626) 969-3471 Ext 168
www.lindsey-usa.com

Annex A

Complete description of the proposed
materials and services for One (1) Set of ERS
to be used at 400kV Transmission Lines.

5.2 DETAILED LISTING OF ALL PROPOSED MATERIALS AND SERVICES
 1070 SERIES ERS PTCUL INDIA 2/21/2019

| Item No. | Lindsey Part No. | Description | Qty. |
|--|------------------|---|------|
| E.R.S. Structure Components | | | |
| 1 | 7154 | FOUNDATION PLATE | 2 |
| 2 | 7424 | RIGID GIMBAL | 2 |
| 3 | 7153 | 7 FT COLUMN | 10 |
| 4 | 7152 | 14 FT COLUMN | 14 |
| 5 | 7156 | 0/45 DEG. GUY PLATE | 8 |
| 6 | 7157 | 45/45 DEG GUY PLATE | 20 |
| 7 | 7158 | 0/0 DEG GUY PLATE | 8 |
| 8 | 7155 | BOX SECTION | 6 |
| 9 | 7500-3 | ERS 5/8-11 x 3 1/2 HEX HD. BOLT GALV.(INC.20% | 350 |
| 10 | 3-225 | 5/8-11 HEX NUT GALV (INC.20% EXTRA) | 350 |
| 11 | 3-206 | 5/8 LOCKWASHER GALV. (INC.20% EXTRA) | 350 |
| E.R.S. Training & Computer Programs | | | |
| 12 | 7001 | ERS Computer Analysis Programs | 1 |
| 13 | 7002 | ERS On-Site Training (weeks) | 1 |
| Conductor and Guying Hardware | | | |
| 14 | 3262BNC | ANCHOR SHACKLE, 60 kip | 198 |
| 15 | 3405 | CHAIN LINK, 60 kip | 14 |
| 16 | 3790EE | 7/8 x 12" EYE-EYE TURNBUCKLE | 60 |
| 17 | R-9058 | 30 KIP TRIANGULAR YOKE PLATE | 7 |
| 18 | R-10850 | INSULATOR BLADE ADAPTER | 7 |
| 19 | R-11271/320 | 30 KIP STRAP LINK (81m/ 32in) | 7 |
| 20 | R-11268 | 30 kip, 4 Bundle Yoke Plate | 7 |
| 21 | 1415/143SY | EHV Suspension Clamp 30.7-36.3 mm | 27 |
| 22 | 1710SY | Conductor Strain Clamp | 53 |
| 23 | 1329 | OHGW SUSP. CLAMP | 3 |
| 24 | 1701SY | OHGW STRAIN CLAMP | 5 |

5.2 (CONTINUED)

| Item No. | Lindsey Part No. | Description | Qty. |
|----------------------------|------------------|---|---------|
| Insulators | | | |
| 25 | 7003-38CH | 400KV SUSPENSION INSULATOR w/Corona Rings | 57 |
| 26 | 7003-44CH | STATION POST INSULATOR W/ Corona Rings | 7 |
| Guy Wire Components | | | |
| 27 | 7950 | THIMBLE CLEVIS | 60 |
| 28 | R-13467 | PLP DEAD-END GUY GRIP | 120 |
| 29 | 7045 | 9/16" Dia. EHS Guy Wire (m) | 6000 |
| 30 | 7900/103 | GUY STRAIN INSULATOR | 44 |
| Anchor Assemblies | | | |
| 31 | R-16624 | MANTA RAY ANCHOR ASSEMBLY | 19 |
| | | Each Set Consists of the Following Items | Qty/Set |
| | R-16624-1 | Manta Ray-1 anchor, | 1 |
| | R-16624-2 | SAR10A 1" x 7ft rod, | 1 |
| | R-16624-3 | TE-1T Triple Thimble Eye | 1 |
| | R-16624-4 | SAR10C 1" x 3.5ft rod | 1 |
| | R-16624-5 | C-1 Nut | 1 |
| 32 | R-14384 | MARSH ANCHOR ASSEMBLY, TRIPLE HELIX | 4 |
| | | Each Set Consists of the Following Items | Qty/Set |
| | R-14384-1 | Triple Thimble Eye | 1 |
| | R-14384-2 | Triple Helix Anchor | 1 |
| | R-14384-3 | 10 ft. Extension Rod | 1 |
| | R-14384-6 | 5 ft. Extension Rod | 2 |
| 33 | R-16978 | ROCK ANCHOR ASSEMBLY | 3 |
| | | Each Set Consists of the Following Items | Qty/Set |
| | R-16978-1 | Rock Anchor Head | 1 |
| | R-16978-2 | All Thread Rod 1" x 12" | 1 |
| | R-16624-3 | TE-1T Triple Thimble Eye | 1 |

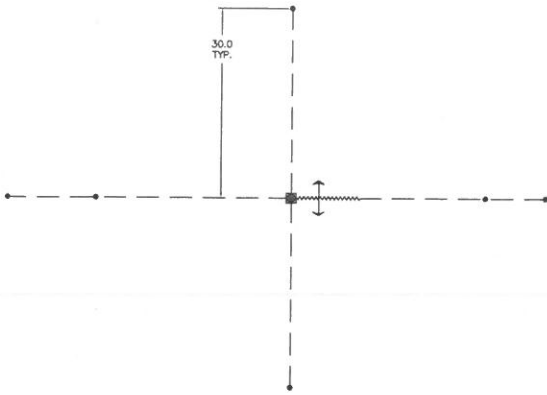
5.2 (CONTINUED)

| Item No. | Lindsey Part No. | Description | Qty. |
|--------------------|------------------|--|---------|
| Accessories | | | |
| 34 | R-17509 | ASSEMBLY & ERECTION TOOL SET IEEE-1070 | 1 |
| | | Each Set Consists of the Following Items | Qty/Set |
| | R-16289 | 30 ft Gin Pole | 1 |
| | R-16513 | 2 ton Tirfor Griphoist | 8 |
| | 7004H | Capstan with Foot Pedal | 1 |
| | R-15738 | 5/8" Polyester Rope, 600' Spool | 6 |
| | R-16884 | Snatch Block for 5/8" Rope | 5 |
| | T-1005 | 12" Spanner wrench | 3 |
| | T-1006 | 1/2" Square Drive Ratchet | 6 |
| | T-1019 | 1/2" SQ. Drive Deep Socket 15/16" | 6 |
| | T-1020 | 12 Point Box Wrench - 15/16" | 6 |
| | R-15107 | 3 Ton Chain Hoist | 6 |
| | R-17103-10 | Pulling Eye | 12 |
| | R-14301 | Automatic Wire Grip | 8 |
| | R-14302 | 10 ft. Metal Sling | 2 |
| | R-14303 | 10 ft. Nylon Sling | 2 |
| | R-17105 | 6' (1.8m) Endless Rd. Sling (Green) | 8 |
| | R-14305 | Conductor Lifting Hook | 3 |
| | 7272 | Anchor Construction Yoke Plate | 6 |
| | R-15258 | 6 Ton Hydraulic Wire Cutter | 1 |
| (CONTINUED) | | | |

| | | | |
|----|-----------|--|---------|
| 35 | R-16625 | MANTA RAY INSTALLATION TOOL SET & HPU | 1 |
| | | Each Set Consists of the Following Items | Qty/Set |
| | R-16625-1 | GPU-18-8 Hydraulic Power Unit, 18hp | 1 |
| | R-16625-2 | HB90-14 Hammer, | 1 |
| | 7004-5 | Hose Sets HC-16-25 | 2 |
| | R-16625-4 | LL-1 Load Locker, | 1 |
| | R-16625-5 | SGC-14 Drive Steel Set, | 1 |
| | R-16625-6 | SG2 Extensions (3ft) | 3 |
| | R-16625-7 | SG4 Couplers | 4 |
| | R-16625-8 | SG3 Radius Tip | 1 |
| | R-16625-9 | SG-14 1 1/4" Shank | 1 |

36 R-14384-4 MARSH ANCHOR MANUAL INSTALLATION TOOL 2
5.2

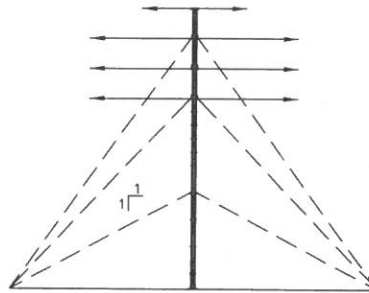
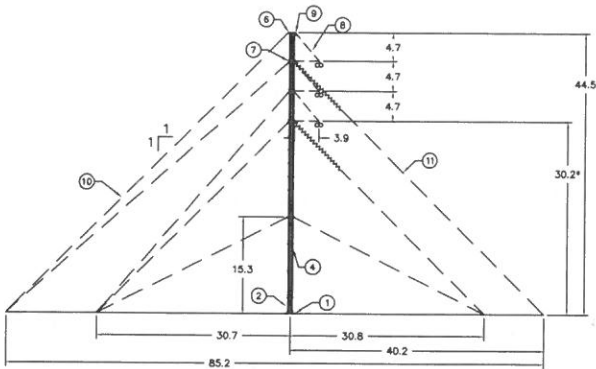
| Item | Lindsey | | |
|-------------|-----------------|--|-------------|
| No. | Part No. | Description | Qty. |
| 37 | R-14304 | FOUNDATIONS STAKES 1.2 Mts. | 9 |
| 38 | R-16001 | 20 ft. INSULATOR & HARDWARE STORAGE CONTNER. | 1 |



| REVISIONS | | |
|-----------|---------------------------------|------------|
| LTR | DESCRIPTION | ENG/DATE |
| 1 | INITIAL SALES DRAWING SUBMITTAL | PL 2/20/19 |

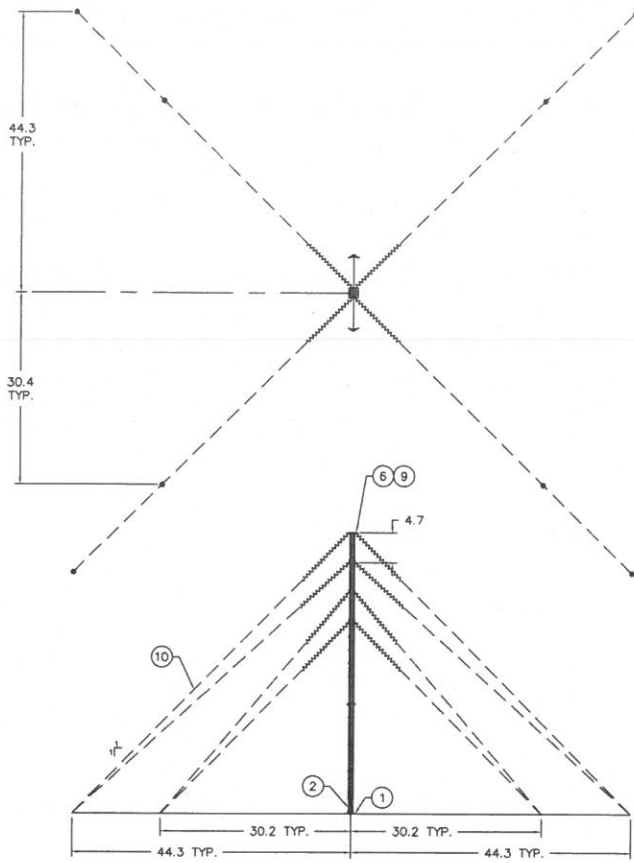
| ITEM NO. | QTY. | LINDSEY PART NO. | DESCRIPTION | MAT'L | WT. EA. LBS. |
|----------|------|------------------|---------------------------|-------|--------------|
| 1 | 1 | 7154 | ERS FOUNDATION BASE ASSY. | AL | 551.2 |
| 2 | 1 | 7424 | GIMBAL JOINT ASSY. | AL | 562.2 |
| 3 | 0 | 7151 | 21 FT. COLUMN ASSY. | AL | 564.4 |
| 4 | 7 | 7152 | 14 FT. COLUMN ASSY. | AL | 416.7 |
| 5 | 5 | 7153 | 7 FT. COLUMN ASSY. | AL | 271.2 |
| 6 | 8 | 7157 | 45' / 45' GUY PLATE | AL | 50.7 |
| 7 | 3 | 7155 | BOX SECTION ASSY. | AL | 271.2 |
| 8 | 3 | R-26460-1 | CONDUCTOR HARDWARE ASSY. | - | - |
| 9 | 1 | R-19588-2 | OHGW HARDWARE ASSY. | - | - |
| 10 | 12 | R-19588-3 | GUY WIRE ASSY. | - | - |
| 11 | 2 | R-19588-4 | INSULATED GUY WIRE ASSY. | - | - |
| 12 | | | | | |

| | |
|----------------------|------|
| TOTAL GUYS | 14 |
| TOTAL ANCHORS | 6 |
| TOTAL GUY WIRE REED. | 500M |



MAXIMUM CONDUCTOR HEIGHT SHOWN.
ALL DIMENSIONS ARE IN METERS
NOTES: UNLESS OTHERWISE SPECIFIED.

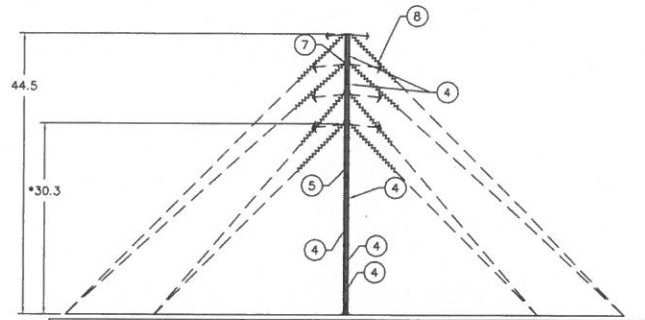
| | | | | | |
|-----------------------|---------|--|-------|---|-----|
| SALES | | INNOVATIONS IN TRANSMISSION AND DISTRIBUTION | | LINDSEY MANUFACTURING COMPANY 360 N. GARDEN / AZUSA, CA 91702 (916) 888-3471 | |
| APPROVALS | DATE | 400kV 0° HORIZONTAL VEE E.R.S. | | | |
| PAUL LARA | 2/20/19 | SIZE | SCALE | DWG | REV |
| EMIGRO AGUILERA | XXXX | B | 1:600 | R-26460 | 1 |
| REF. NO.: PTCUL-INDIA | | | | | |



| REVISIONS | | |
|-----------|---------------------------------|------------|
| LTR | DESCRIPTION | ENG/DATE |
| 1 | INITIAL SALES DRAWING SUBMITTAL | PL 2/20/19 |

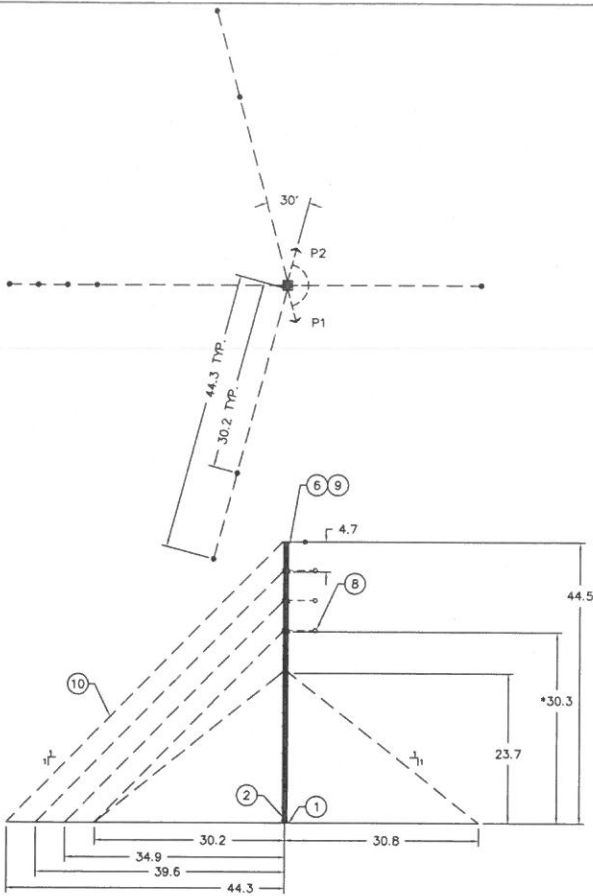
| ITEM NO. | QTY. | LINDSEY PART NO. | DESCRIPTION | MAT'L | WT. EA. LBS. |
|----------|------|------------------|---------------------------|-------|--------------|
| 1 | 1 | 7154 | ERS FOUNDATION BASE ASSY. | AL | 551.2 |
| 2 | 1 | 7424 | GIMBAL JOINT ASSY. | AL | 562.2 |
| 3 | 0 | 7151 | 21 FT. COLUMN ASSY. | AL | 564.4 |
| 4 | 7 | 7152 | 14 FT. COLUMN ASSY. | AL | 416.7 |
| 5 | 5 | 7153 | 7 FT. COLUMN ASSY. | AL | 271.2 |
| 6 | 10 | 7157 | 45' / 45' GUY PLATE | AL | 50.7 |
| 7 | 3 | 7155 | BOX SECTION ASSY. | AL | 271.2 |
| 8 | 3 | R-26462-1 | CONDUCTOR HARDWARE ASSY. | -- | -- |
| 9 | 2 | R-19589-2 | OHGW HARDWARE ASSY. | -- | -- |
| 10 | 0 | R-19588-3 | GUY WIRE ASSY. | -- | -- |
| 11 | 16 | R-19588-4 | INSULATED GUY WIRE ASSY. | -- | -- |
| 12 | 4 | 7158 | 0' / 0' GUY PLATE | AL | 50.7 |

| | |
|-----------------------|-------|
| TOTAL GUYS | 16 |
| TOTAL ANCHORS | 8 |
| TOTAL GUY WIRES REQD. | 1100M |



MAXIMUM CONDUCTOR HEIGHT SHOWN.
ALL DIMENSIONS ARE IN METERS
QTES: UNLESS OTHERWISE SPECIFIED

| | | | | | | |
|-----------------------|-----------------|--|------|---|---------|-----|
| SALES | | INNOVATIONS IN TRANSMISSION AND DISTRIBUTION | | LINDSEY MANUFACTURING COMPANY 765 N. GARDEN / GLENDALE, CA 91201 | | |
| | | APPROVALS | DATE | 400kV TENSION 0° DEAD-END | | |
| DESIGN | PAUL LARA | 2/20/19 | SIZE | SCALE | DWG | REV |
| ENGINEER | EMIGRO ACUILERA | XXXX | B | 1:600 | R-26462 | 1 |
| REF. NO.: PTCUL-INDIA | | | | | | |

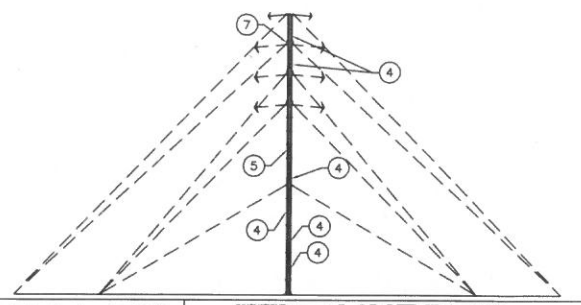


MAXIMUM CONDUCTOR HEIGHT SHOWN.
 ALL DIMENSIONS ARE IN METERS
 QTES: UNLESS OTHERWISE SPECIFIED

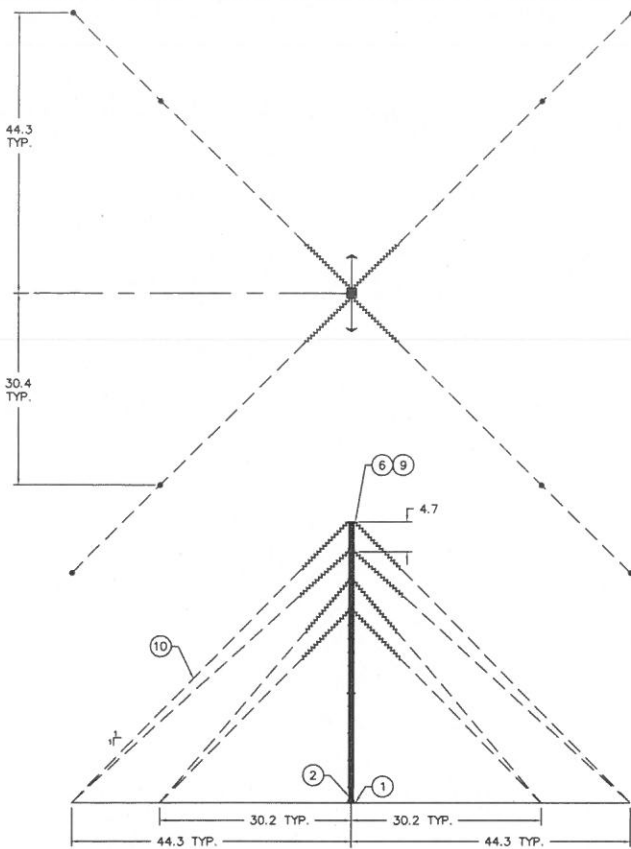
| REVISIONS | | |
|-----------|---------------------------------|------------|
| LTR | DESCRIPTION | ENG/DATE |
| 1 | INITIAL SALES DRAWING SUBMITTAL | PL 2/20/19 |

| ITEM NO. | QTY. | LINDSEY PART NO. | DESCRIPTION | MAT'L | WT.EA. LBS. |
|----------|------|------------------|---------------------------|-------|-------------|
| 1 | 1 | 7154 | ERS FOUNDATION BASE ASSY. | AL | 551.2 |
| 2 | 1 | 7424 | GIMBAL JOINT ASSY. | AL | 562.2 |
| 3 | 0 | 7151 | 21 FT. COLUMN ASSY. | AL | 564.4 |
| 4 | 7 | 7152 | 14 FT. COLUMN ASSY. | AL | 416.7 |
| 5 | 5 | 7153 | 7 FT. COLUMN ASSY. | AL | 271.2 |
| 6 | 10 | 7157 | 45' / 45' GUY PLATE | AL | 50.7 |
| 7 | 3 | 7155 | BOX SECTION ASSY. | AL | 271.2 |
| 8 | 3 | R-26462-1 | CONDUCTOR HARDWARE ASSY. | -- | -- |
| 9 | 2 | R-19589-2 | OHGW HARDWARE ASSY. | -- | -- |
| 10 | 16 | R-19588-3 | GUY WIRE ASSY. | -- | -- |
| 11 | 0 | R-19588-4 | INSULATED GUY WIRE ASSY. | -- | -- |
| 12 | 4 | 7158 | 0' / 0' GUY PLATE | AL | 50.7 |

| | |
|-----------------------|------|
| TOTAL GUYS | 16 |
| TOTAL ANCHORS | 9 |
| TOTAL GUY WIRES REQD. | 900M |



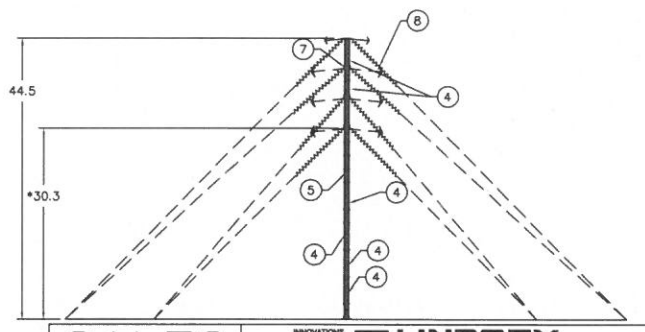
| | | | |
|-----------------------|--|--|---------|
| SALES | | INNOVATIONS IN TRANSMISSION AND DISTRIBUTION LINDSEY MANUFACTURING COMPANY <small>765 N. GARDNER / JOLIET, IL 61731 (815) 944-3001</small> | |
| | | APPROVALS | DATE |
| DRAWN | | 400kV 30° TENSION DEAD-END | |
| ENGINEER | | SIZE | SCALE |
| REF. NO.: PTCUL-INDIA | | B | 1:600 |
| | | DWG | R-26463 |
| | | REV | 1 |



| REVISIONS | | |
|-----------|---------------------------------|------------|
| LTR | DESCRIPTION | ENG/DATE |
| 1 | INITIAL SALES DRAWING SUBMITTAL | PL 2/20/19 |

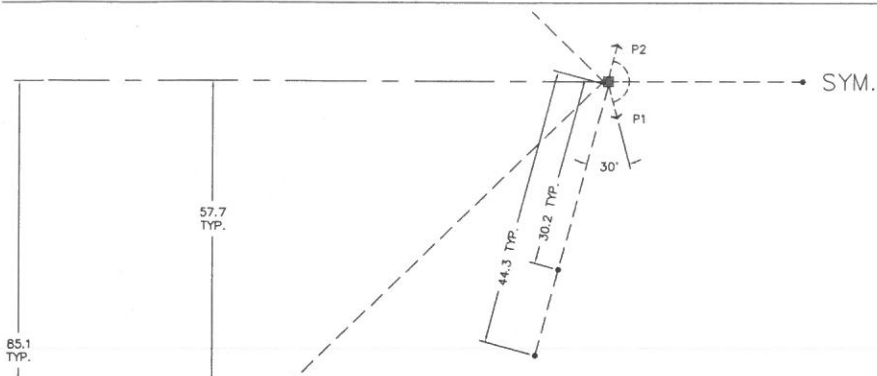
| ITEM NO. | QTY. | LINDSEY PART NO. | DESCRIPTION | MAT'L | WT. EA. LBS. |
|----------|------|------------------|---------------------------|-------|--------------|
| 1 | 1 | 7154 | ERS FOUNDATION BASE ASSY. | AL | 551.2 |
| 2 | 1 | 7424 | GIMBAL JOINT ASSY. | AL | 562.2 |
| 3 | 0 | 7151 | 21 FT. COLUMN ASSY. | AL | 564.4 |
| 4 | 6 | 7152 | 14 FT. COLUMN ASSY. | AL | 416.7 |
| 5 | 5 | 7153 | 7 FT. COLUMN ASSY. | AL | 271.2 |
| 6 | 10 | 7157 | 45' / 45' GUY PLATE | AL | 50.7 |
| 7 | 3 | 7155 | BOX SECTION ASSY. | AL | 271.2 |
| 8 | 3 | R-26466-1 | CONDUCTOR HARDWARE ASSY. | - | - |
| 9 | 2 | R-19589-2 | OHGW HARDWARE ASSY. | - | - |
| 10 | 0 | R-19588-3 | GUY WIRE ASSY. | - | - |
| 11 | 16 | R-19588-4 | INSULATED GUY WIRE ASSY. | - | - |
| 12 | 4 | 7158 | 0' / 0' GUY PLATE | AL | 50.7 |

| | |
|----------------------|-------|
| TOTAL GUYS | 16 |
| TOTAL ANCHORS | 8 |
| TOTAL GUY WRES REQD. | 1100M |



MAXIMUM CONDUCTOR HEIGHT SHOWN.
ALL DIMENSIONS ARE IN METERS
NOTES: UNLESS OTHERWISE SPECIFIED

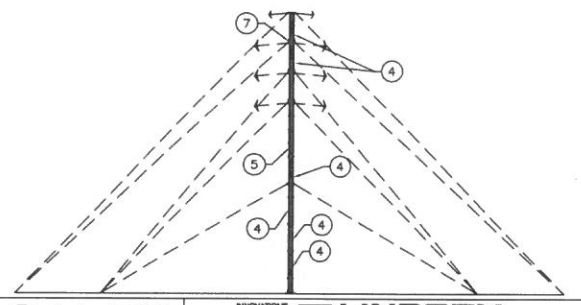
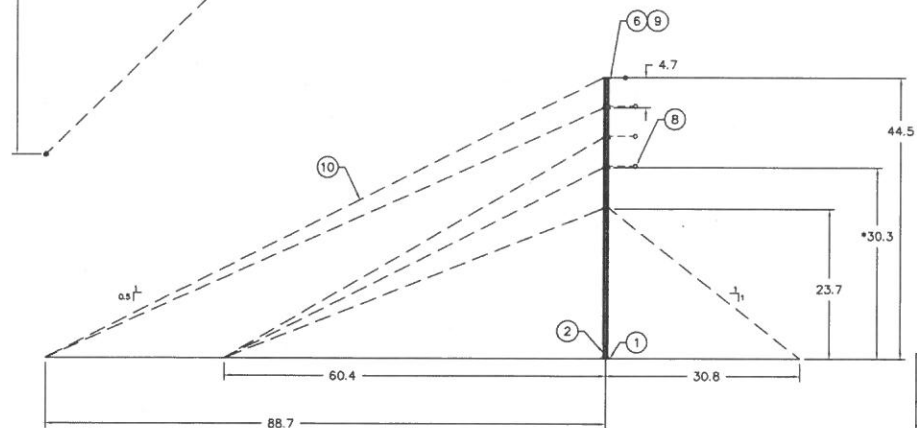
| | | | | | |
|---------------------------|---------|--|-------|---|-----|
| SALES | | INNOVATIONS IN TRANSMISSION AND DISTRIBUTION | | LINDSEY MANUFACTURING COMPANY 700 N. GEORGE / AUSTIN, TX 78702 (800) 880-3471 | |
| APPROVALS | DATE | 400kV TENSION 0° DEAD-END | | | |
| DESIGN: PAUL LARA | 2/20/19 | SIZE | SCALE | DWG | REV |
| ENGINEER: EMDICO AGUILERA | XXXX | B | 1:600 | R-26466 | 1 |
| REF. NO.: PTCUL-INDIA | | | | | |



| REVISIONS | | |
|-----------|---------------------------------|-------------|
| LTR | DESCRIPTION | ENG/DATE |
| 1 | INITIAL SALES DRAWING SUBMITTAL | PL. 2/20/19 |

| ITEM NO. | QTY. | LINDSEY PART NO. | DESCRIPTION | MAT'L | WT. EA. LBS. |
|----------|------|------------------|---------------------------|-------|--------------|
| 1 | 1 | 7154 | ERS FOUNDATION BASE ASSY. | AL | 551.2 |
| 2 | 1 | 7424 | GIMBAL JOINT ASSY. | AL | 562.2 |
| 3 | 0 | 7151 | 21 FT. COLUMN ASSY. | AL | 564.4 |
| 4 | 7 | 7152 | 14 FT. COLUMN ASSY. | AL | 416.7 |
| 5 | 5 | 7153 | 7 FT. COLUMN ASSY. | AL | 271.2 |
| 6 | 10 | 7157 | 45' / 45' GUY PLATE | AL | 50.7 |
| 7 | 3 | 7155 | BOX SECTION ASSY. | AL | 271.2 |
| 8 | 3 | R-26466-1 | CONDUCTOR HARDWARE ASSY. | - | - |
| 9 | 2 | R-19589-2 | OHGW HARDWARE ASSY. | - | - |
| 10 | 21 | R-19588-3 | GUY WIRE ASSY. | - | - |
| 11 | 0 | R-19588-4 | INSULATED GUY WIRE ASSY. | - | - |
| 12 | 4 | 7158 | 0' / 0' GUY PLATE | AL | 50.7 |

| | |
|-----------------------|-------|
| TOTAL GUYS | 21 |
| TOTAL ANCHORS | 11 |
| TOTAL GUY WIRES REQD. | 2350M |



MAXIMUM CONDUCTOR HEIGHT SHOWN.
ALL DIMENSIONS ARE IN METERS
QTES. UNLESS OTHERWISE SPECIFIED

| | | | | | |
|-----------|-----------------|--|------|--|---------|
| SALES | | INNOVATIONS IN TRANSMISSION AND DISTRIBUTION | | LINDSEY MANUFACTURING COMPANY 760 N. SCOTLAND / AUSTIN, TX 78702 (512) 558-3471 | |
| APPROVALS | DATE | 400kV 30° TENSION DEAD-END | | | |
| DESIGN | PAUL LARA | 02/20/2019 | SIZE | SCALE | DWG |
| ENGINEER | EMDICO ACUILERA | XXXX | B | 1:600 | R-26467 |
| REF. NO.: | PTCUL-INDIA | | | | REV 1 |