

**Registered post with Acknowledgement Due**

Ref.:SR-II:RTI:F-1672/23-24/ 3479

Date:15.02.2024

To

Shri K Ningaiah  
 S/o.Kamsagarappa,Kainadu  
 Hosadurga.  
 Via Srirampura Hosadurga Taluk  
 Chitradurga District-577542  
 Mob.9449168939

Dear Sir,

Sub: Information sought under RTI Act, 2005 – reg.  
 Ref. Your RTI Application dt.03.02.2024

This has reference to your RTI application under Reference dated.03.02.2024 addressed to POWERGRID and received in this office on 05.02.2024 .The information sought in your application under RTI Act 2005, is as given below.

S.No.	Query	Reply
Page 1 01.	What is the type of tower installed in Kainadu Tower No.21/1 of Survey No.12/2. What is the area of tower footing & its related compensation	Tower No.21/1 is situated in Somasandra Village (Survey No.-12/2) and type of tower installed is DA+00. Tower footing area is approx..1.5 Guntas. The amount of Rs.2,25,000/- was payable as tower footing compensation for S.No. 21/2 and the same been deposited at Hosadurge Taluk Court in OS-22/2018 under section 16(4) of The Telegraph Act.
02.	Please provide survey sketch of power line laid in the Survey No.12/2 ( 46 mtr. Corridor) & extent of land under corridor.	Line Corridor under Survey No.12/2 is 32 Guntas. Survey sketch Attached.
03	Please provide the receipt of coconut trees fell down in Survey No.53& 11 of Enjoyment ownership under K. Ningaiah & K Ramappa, Revanna.	CC No.HYR 1061 Dated.25.01.2019 attached for 8 coconut trees fell down under Enjoyment ownership of Revanna in Survey No.53, CCTC No.HYR 1059 Dated.25.01.2019, attached for 39 coconut trees fell down under Enjoyment ownership of K.Ningaiah & K Ramappa in Survey No.53 & 11 CCTC No.HYR 2080 Dated.25.02.2020 attached for 8 coconut trees fell down under Enjoyment ownership of K Ningaiah & K. Ramappa in Survey No.53.

...2/-



सीपीआईओ / CPIO

दक्षिणी क्षेत्र पारिषद प्रणाली - II क्षेत्रीय मुख्यालय, आर.टी.ओ. ड्राइविंग टेस्ट ट्रैक के पास, सिंहायकनहल्ली, येलहंका होब्ली, बेंगलूरु - 560084, दूरभाष : 080-23093700  
 Southern Region Transmission System - II RHQ., Near RTO Driving Test Track, Singanayakanahalli, Yelahanka Hobli, Bengaluru - 560084, Phone: 080-23093700

केंद्रीय कार्यालय: "सौदामिनी", प्लॉट नंबर 2, गुरुग्राम -122001, (हरियाणा) दूरभाष: 0124-2571700-719

Corporate Office: "Saudamini", Plot No. 2, Gungram-122001, (Haryana) Tel: 0124-2571700-719

पंजीकृत कार्यालय: बी - 9, कुतब इंस्टीट्यूशनल एरिया, कटवारिया सराय, नई दिल्ली - 110 016. दूरभाष: 011-26560112, 26560121, 26564812, 26564892, सीआईएन: L40101DL1989GOI038121

Registered Office: B-9, Qutab Institutional Area, Katwaria Sarai, New Delhi-110 016. Tel: 011-26560112, 26560121, 26564812, 26564892, CIN: L40101DL1989GOI038121

Website: www.powergrid.in

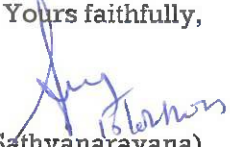
04.	What is the type of tower installed in Kainadu (Tower No.21/3) of Survey No.53 & 11. What is the area of tower footing & its related compensation. Please provide survey sketch of power line laid in the Survey No.53 & 11.	Type of Tower installed in Survey No.53 of Kainadu Village is DA+00 (21/3). No Tower installed in Survey No.11 of Kainadu Village. Tower footing area is approx..1.5 Guntas. The amount of Rs.2,25,000/- was payable as tower footing compensation for Sr.No.of 21/3 and the same been deposited at Hosadurge Taluk Court in OS-22/2018 under section 16(4) of The Telegraph Act. Survey sketch of Survey No.53 & 11 is attached.
Page 2	Please provide the receipt of coconut trees fell down in Survey No.53 & 11	
01.	Kainodu Village, Tower Location 21/3	CCTC No.HYR-1059 Dtd.25.1.2019 & CCTC No.HYR 2080 Dtd.25.2.2020 attached.
02.	Please provide the receipt of coconut trees fell down in Survey No.53 & 11 Kainodu Village, Tower Location 21/3, under Enjoyment ownership of Revanna	CCTC No.HYR 1061 Dated.25.1.2019 attached.

As per section 19 of the Right to Information Act 2005, if required, you may file an appeal to the First Appellate Authority of the organization within 30 days of the issue of this order. The address of the First Appellate Authority is given below:

Shri Tarun Bajaj, Executive Director (SRTS-II)  
Power Grid Corporation of India Ltd.,  
Singanayakanahalli, Yelahanka Hobli,  
Bangalore 560 064.  
e-mail : sr2edo@powergrid.co.in  
Tel.No.: 080-23093701

Thanking you,

Yours faithfully,

  
(SVS Sathyanarayana)  
Sr.General Manager & CPIO  
e-mail id: sr2cpio@powergrid.co.in

Copy to: ED(SRTS-II), Appellate Authority, POWERGRID, SRTS-II, Bangalore - for kind information.

सीपीआईओ / CPIO  
पावरग्रिड / POWERGRID  
दक्षेपाप्र-II, बेंगलुरु / SRTS - II, Bengaluru

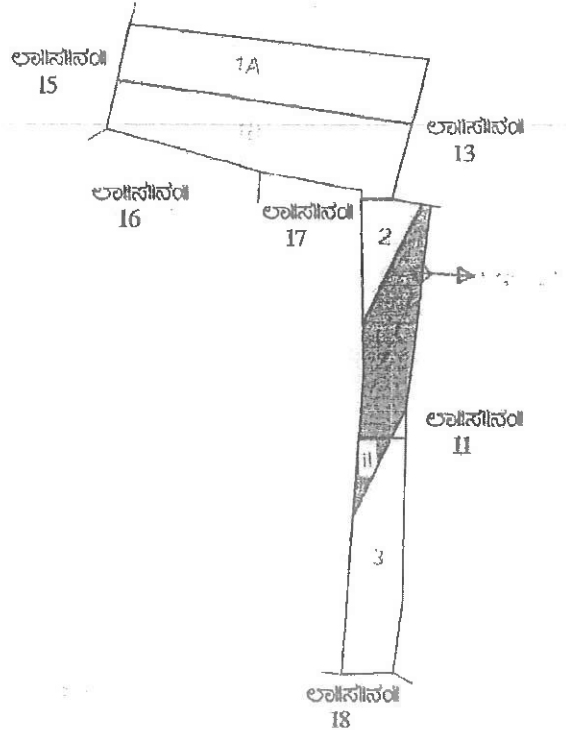
Note No. #1

Attachment: Revenue survey sketches.pdf

ಗ್ರಾಮ: ಸೊಡುಕೆರೆ ಹೋಬಳಿ: ಶ್ರೀರಾಂಪುರ ತಾಲ್ಲೂಕು: ಹೊಸದುರ್ಗ ಜಿಲ್ಲೆ: ಚಿತ್ರದುರ್ಗ

ಸರ್ವೆ ನಂಬರು: 12/2 ಮತ್ತು 3

9



ಸ್ಕೇಲ್: 1 ಇಂಚಿಗೆ = 39.60 ಮೀಟರ್

ಸ.ನಂ.	ಅಕಾರ ಬಂದಿನಂತೆ ವಿವರಣೆ			ಪರಿಶೋಧಿಸಿ ಅನ್ವೇಷಿಸಿದ ಹಾದು ಯೋಗಕ್ಷಿರವು ಕ್ಷೇತ್ರ				ಖಾತೆದಾರರ ಹೆಸರು	ಪರಿಶೋಧನೆ
	ಏನು	ಖರಾಬು	ಬಾಕಿ	ಸ.ನಂ.	ಏನು	ಖರಾಬು	ಬಾಕಿ		
12/2	1-24	---	1-24	1	0-32	---	0-32	ಕೆ.ರಾಮಪ್ಪ ಬಿಸ್ ಎಂ.ಕಂಠಾಚಾರಿಪ್ಪ ಕೆ.ವಿಂಗಯ್ಯ ಬಿಸ್ ಎಂ.ಕಂಠಾಚಾರಿಪ್ಪ	ಅನುಭವ ಹೊಂದಿದ್ದು 21/1 ಇರುತ್ತದೆ
12/3	1-32	---	1-32	11	0-04 1/2	---	0-04 1/2	ರೇವಣ್ಣ ಬಿಸ್ ಸ್ವಾಮಿಪ್ಪ	ಅನುಭವ ಹೊಂದಿದ್ದು ಅಲ್.ಬಿಸ್ ಕೊಡುಪ್ಪ ಕೆ.ವಿಂಗಯ್ಯ ಬಿಸ್ ಎಂ.ಕಂಠಾಚಾರಿಪ್ಪ ರವರ ಹೆಸರಿಗೆ ಇರುತ್ತದೆ

*(Signature)*  
 ಚಿ. ಅಪ್ಪೇಸ್ವಾಮಿ  
 ಪರವಾನಗಿ ಭೂಮಾಪಕರು  
 ಪಾನೆ ಸಂಖ್ಯೆ: 17/2890  
 ಕಾರ್ಯಕ್ಷೇತ್ರ,  
*(Signature)*

*(Signature)*  
 ಪರ್ಯವೇಶಕರು  
 ಡಾ.ಸ.ನಿ. ಕೆ.ಬಿ. ಹೊಸದುರ್ಗ

*(Signature)*

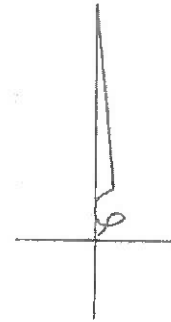
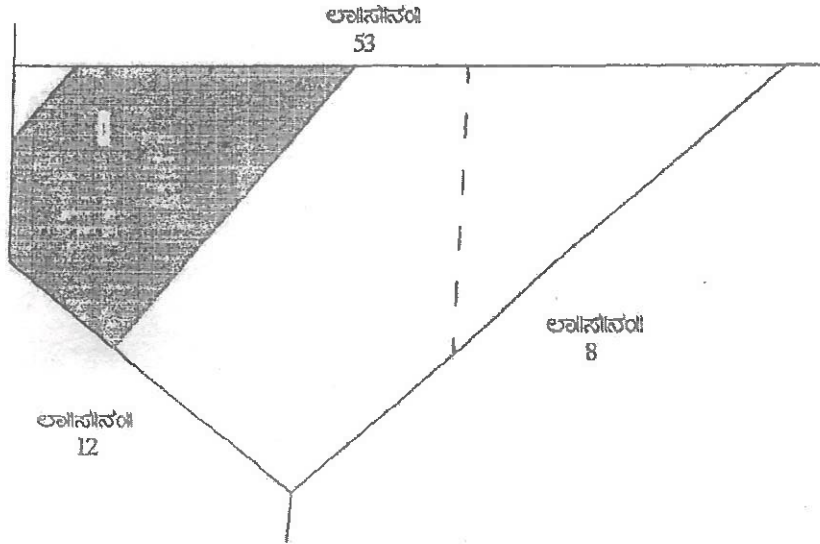


Page No. #1

Attachment: Revenue survey sketches.pdf

ಗ್ರಾಮ: ಕೈನಾಡು ಹೋಬಳಿ: ಶ್ರೀರಾಂಪುರ ತಾಲ್ಲೂಕು: ಹೊಸದುರ್ಗ ಜಿಲ್ಲೆ: ಚಿತ್ರದುರ್ಗ

ಸರ್ವೆ ನಂಬರು: 11



ಸ್ಕೇಲ್: 1 ಇಂಚಿಗೆ = 15.84 ಮೀಟರ್

ಸ.ನಂ.	ಅಕಾರ ಬಂದಿನಂತೆ ವಿವರಣೆ			ಬವರ್ಗಿಡ್ ಲೈನ್ ಗೆ ಹಾದು ಹೋಗುತ್ತಿರುವ ಪ್ರದೇಶ				ಖಾತೆದಾರರ ಹೆಸರು	ಷರಾ
	ಏನು	ಖರಾಬು	ಬಾಕಿ	ಬ್ಲಾ.ನಂ.	ಏನು	ಖರಾಬು	ಬಾಕಿ		
	2-08	0-06	2-02	1	0-26	—	0-26	ಕೆ.ರಾಮಣ್ಣ ಬಿನ್ ಕಂಠಾಗರಪ್ಪ ಕೆ.ನಿರಂಗಯ್ಯ ಬಿನ್ ಕಂಠಾಗರಪ್ಪ	

*[Signature]*  
ಟಿ. ತಿಪ್ಪೇಸ್ವಾಮಿ

ಪರವಾನಗಿ ಭೂವಹಿಲಾಕರಣ

ವಾನ್ ಸಂಖ್ಯೆ: 17/2890

*[Signature]*  
ವಿ. ಕೆ. ಕುಮಾರ್

*[Signature]*  
ಬಿ. ಎ. ಕೆ. ಕುಮಾರ್

*[Signature]*

ಗ್ರಾಮ ಲೆಕ್ಕಾಧಿಕಾರಿ  
ಹೊಸದುರ್ಗ ತಾಲ್ಲೂಕು

ಸಿಪಿಆರ್‌ಐ / CPIO  
ಪಾವರಗಿಡ / POWERGRID



**POWERGRID CORPORATION OF INDIA LIMITED**

(A Government of India Enterprise)  
Southern Region Transmission System-II, 400/220KV Substation  
Maidanahalli, Yelwala Hobli, Mysore - 571 130



**Certificate of Compensation for Tree Clearance Issued**  
**under Indian Telegraph Act 1885**

1059  
CCTC No: HYR

Date: 25/01/2019

This is to certify that as per the orders of the Engineer, Trees / Crops mentioned below were felled / damaged between location No. 91/2-21/3-21/4 and ..... the Construction of 400 KV D/C Hiriyur-Mysore Transmission Line and handed over to the Land Owners.

Particulars of Trees felled / Crops damaged :

1. Coconut - 39 NO'S (Three - Nine)
2. /
3. /
4. /
5. Compensation will be paid based on the Court-
6. Verdict. O.S. 88/2018 (Hasadurga)  
(Sr. civil judge & jmfc, Hasadurga)

The above - mentioned Trees / Crops were in Survey No. 53, 11 ..... of Kainodu Village, Hasadurga Taluk, Chitradurga District and belongs to Sri/Smt. K. Ramappa & K. Ningaiah (Address) Kainodu, Hasadurga, Chitradurga.

The Compensation for the Trees cut / Crops damaged mentioned above will be paid by POWERGRID as Assessed by the Revenue / Agriculture / Horticulture / Forest Department, Government of Karnataka.

Conditions Accepted

*K. Ningaiah*  
Signature of the Land Owner /  
Authorised Representative

Date :

Place :

*Sudhan*  
For POWERGRID

Signature

सीपीआईओ / CPIO  
पावरग्रिड / POWERGRID  
दक्षेपाप-II, बेंगलुरु / SRTS - II, Bengaluru

**POWERGRID CORPORATION OF INDIA LIMITED**

(A Government of India Enterprise)

Southern Region Transmission System-II, 400/220KV Substation  
Maidanahalli, Yelwala Hobli, Mysore - 571 130



2080 पावरग्रिड

**Certificate of Compensation for Tree Clearance Issued**  
**under Indian Telegraph Act 1885**

CCTC No : HYR

Date : 25/2/2020

This is to certify that as per the orders of the Engineer, Trees / Crops mentioned below were felled / damaged between location No. 21/2 - 21/3 and for the Construction of 400 KV D/C Hiriyur-Mysore Transmission Line and handed over to the Land Owners.

Particulars of Trees felled / Crops damaged :

1. Coconut Tree - 08 Nos (EIGHT)
- 2.
- 3.
- 4.
- 5.
- 6.

The above - mentioned Trees / Crops were in Survey No. 53 of Kainadu Village Hosadurga Taluk Chikoduru District and belongs to Sri/Smt. K. Ramappa Bm Kam Sagarappa, K. Ningelch Bm (Address) Kam Sagarappa, Kainadu Hosadurga

The Compensation for the Trees cut / Crops damaged mentioned above will be paid by POWERGRID as Assessed by the Revenue / Agriculture / Horticulture / Forest Department, Government of Karnataka.

Conditions Accepted

*K. Ramappa*  
Signature of the Land Owner /  
Authorised Representative

Date : 25/2/2020

Place : Kainady

*D. S. Cheluvu*  
25/2/2020  
For POWERGRID

Signature



**POWERGRID CORPORATION OF INDIA LIMITED**

(A Government of India Enterprise)  
Southern Region Transmission System-II, 400/220KV Substation  
Maidanahalli, Yelwala Hobli, Mysore - 571 130



**Certificate of Compensation for Tree Clearance Issued**  
**under Indian Telegraph Act 1885**

1061

CCTC No: HYR

Date 25/01/2019

This is to certify that as per the orders of the Engineer, Trees / Crops mentioned below were felled / damaged between location No. 21/2 - 21/3 and ..... for the Construction of 400 KV D/C Hiriyur-Mysore Transmission Line and handed over to the Land Owners.

Particulars of Trees felled / Crops damaged :

1. Coconut - 08 No's (Eight)
2. /
3. /
4. /
5. /
6. /

Compensation will be paid based on the Court Verdict  
D.S. 22/2018 (Sr. Civil Judge & JMFC, Hosdurga).  
The above - mentioned Trees / Crops were in Survey No. 63 of Kainodu,  
Village Hosdurga Taluk Chitradurga District and belongs to  
Sri/Smt. Revanna S/o. Kam. Sagarappa (Address), Kainodu  
Hosdurga, Chitradurga.

The Compensation for the Trees cut / Crops damaged mentioned above will be paid by POWERGRID as Assessed by the Revenue / Agriculture / Horticulture / Forest Department, Government of Karnataka.

Conditions Accepted

K.R. 230003  
Signature of the Land Owner /  
Authorised Representative

Syn No: 63 of Kainodu village in the name of K. Ramappa & K. Ningsappa, But the above cut trees enjoying by M. Revanna S/o. Kam. Sagarappa

Date :

For POWERGRID

Place :

Signature

सीपीआईओ  
पावरग्रिड / PO  
दक्षिण-II, बेंगलुरु / SF

D.  
Bengaluru